

This information is given as an indication. In the continual goal to improve our products, we reserve the right to make any modifications judged necessary



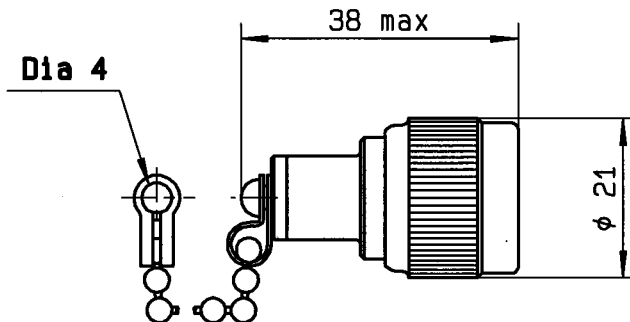
1 W DC- 4 GHz N/male COAXIAL TERMINATION

issue
09. jul. 03

Page
1 / 1

DRAWING

Bead chain
length=70 mm



R F CHARACTERISTICS

FREQUENCY RANGE	: DC - 4GHz
IMPEDANCE	: 50 Ohms
DC RESISTANCE	: 50 Ohms ± 2%
AVERAGE POWER HANDLING	: 1 W at 25°C
PEAK POWER HANDLING	: 500 W (1 μs, 1%.) at 25°C
V.S.W.R : DC - 1 GHz	: ≤ 1.08
1 - 4 GHz	: ≤ 1.20

General tolerances: +/- 0.5 mm

MECHANICAL CHARACTERISTICS

CONNECTOR	: N male per MIL C 39012
MAXIMUM WEIGHT	: 40 grams

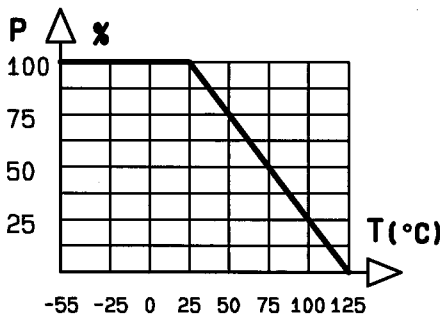
MATERIALS AND FINISHES

BODY and N NUT	: BRASS Ni 2 μm
CENTER CONTACT	: BRASS Ni 2 μm Au 1 μm
INSULATOR	: PTFE
GASKET	: SILICONE

ENVIRONMENTAL CHARACTERISTICS

OPERATING TEMPERATURE RANGE (°C)	: -55 , +125
STORAGE TEMPERATURE RANGE (°C)	: -55 , +125

Power derating
Versus temperature



CREATION N° : PEN/EP: 92502 Name: PG Date: 13. oct. 92 APP.:	09/07/03	Frequency range 2.5 GHz --> 4 GHz	AF	FG
	25-06-02	Add packaging DM02-06-006	Jarrand	vignard
	10. apr. 00	Add watertightness	MG	AF
	16. mar. 00	Add materials and finishes	JL	AF
	28. jul. 98	V.S.W.R 1.10 --> 1.08	MG	AF
ISSUE	REVISIONS		NAME	APPR.

RADIALL®
 101. rue P. Hoffmann - Z.I Ouest -
 93116 ROSNY/BOIS Cedex-FRANCE
 Phone: 33(1)49353535
 Fax : 33(1)48546363
 Twx RADIA 235220F